

TITLE: ISOMETRIC WORKSHEET

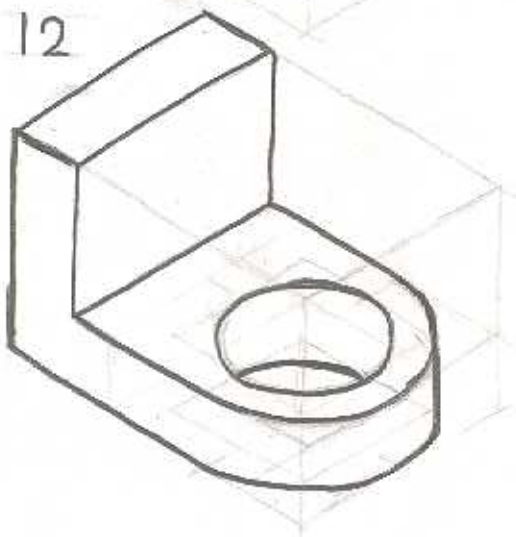
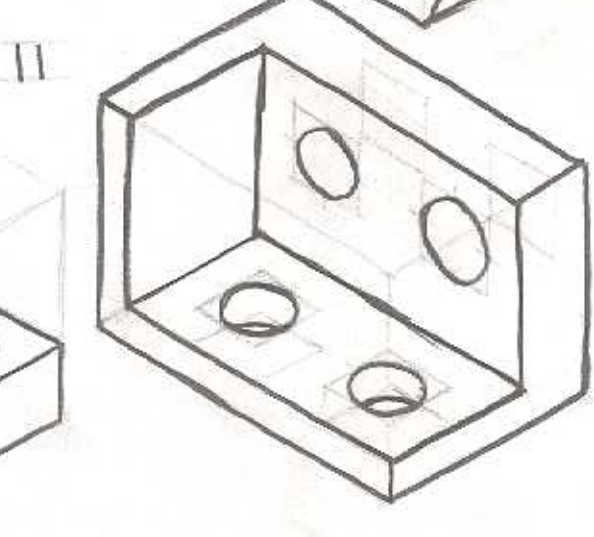
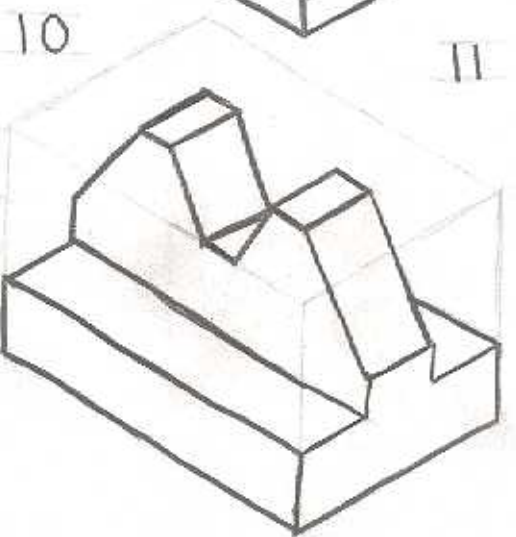
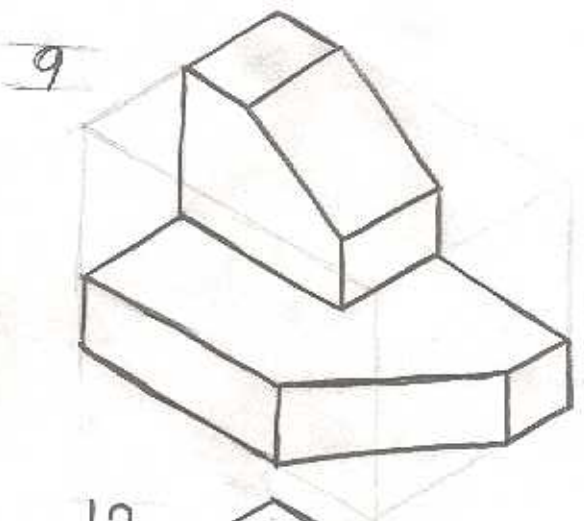
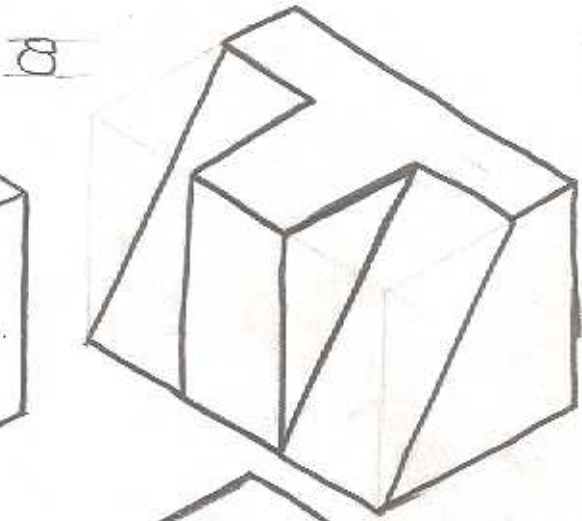
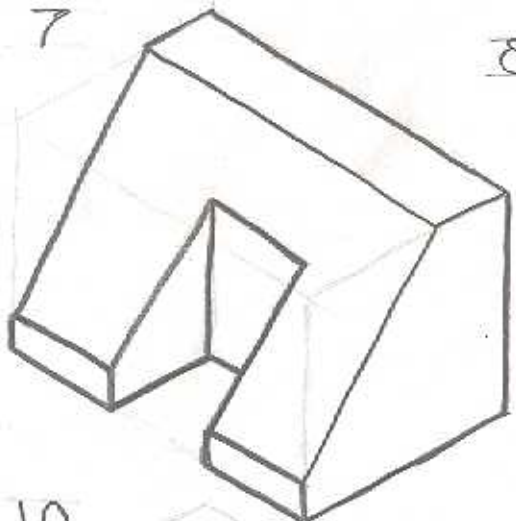
ISOMETRIC PAPER (30 DEGREE GRID)

DRAWN BY: BEN JENSEN

DATE: APRIL 16

ASSIGNMENT NO.: 5

G P S S 12/12
G P S S
(NFC ORFGRID) (S01.SK0)



TITLE: ISOMETRIC WORKSHEET

ISOMETRIC PAPER (30 DEGREE GRID)

DRAWN BY: BEN JENSEN

DATE: APRIL 17

ASSIGNMENT NO.: 5

G
P
S
S
(INFORMAL EDUCATION)