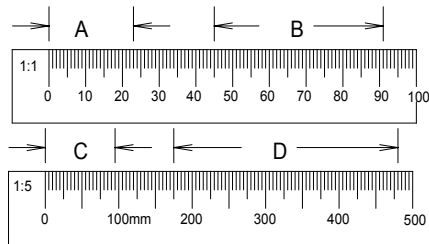


# SCALES ASSIGNMENT

NAME: \_\_\_\_\_ BLOCK: \_\_\_\_\_

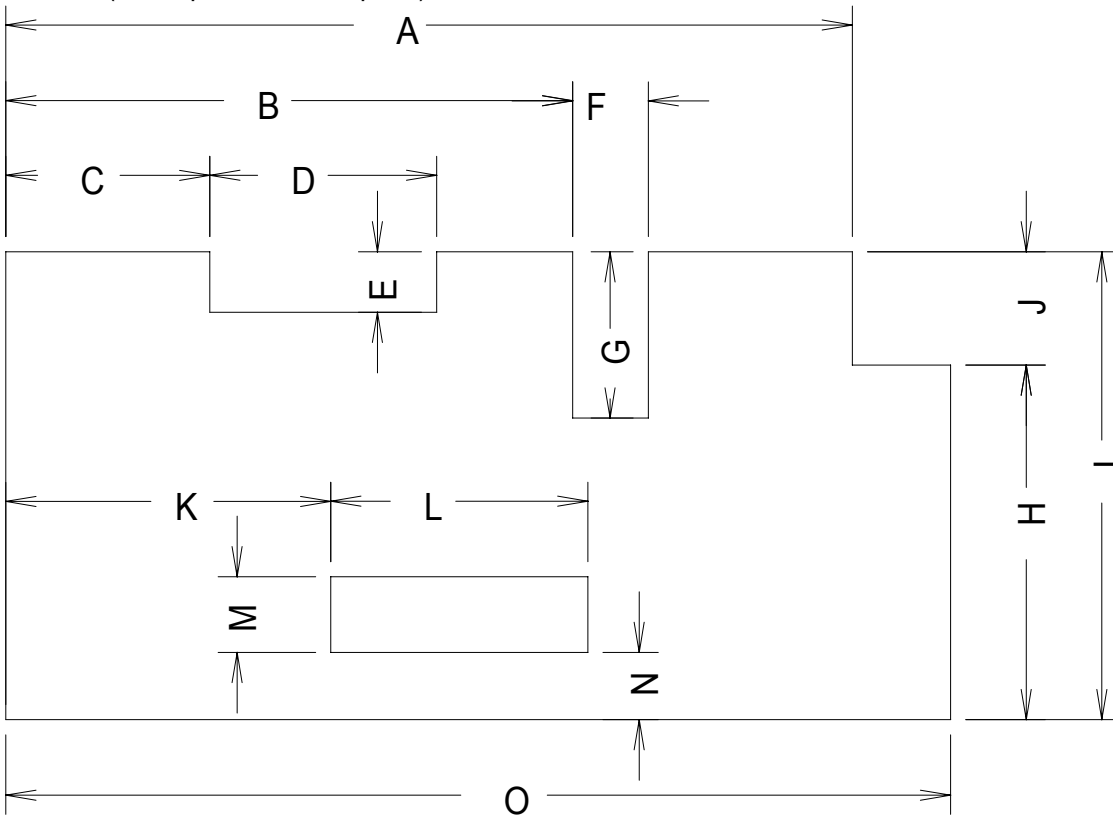
## Instructions:

1. Read the rulers at the right (arrow point to arrow point)
2. Measure the sizes of the shapes below using the specified scale (arrow point to arrow point)



A= \_\_\_\_\_  
 B= \_\_\_\_\_  
 C= \_\_\_\_\_  
 D= \_\_\_\_\_

1:1



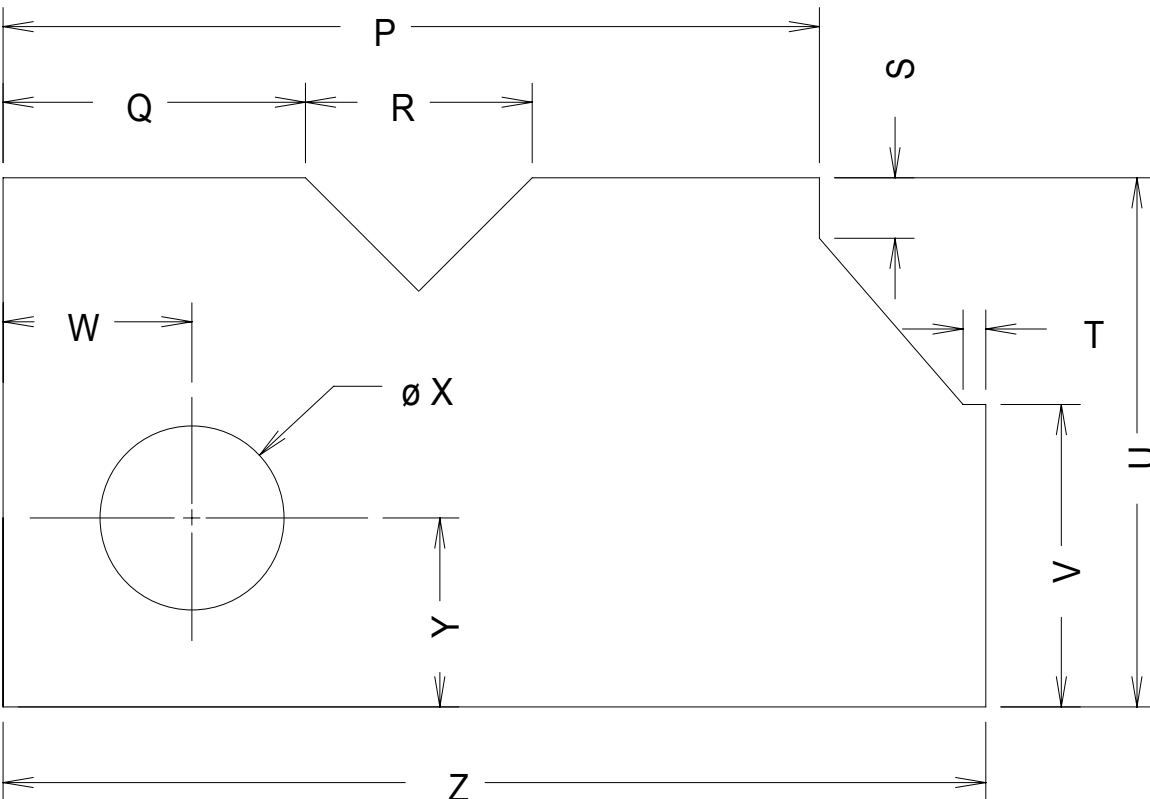
A= \_\_\_\_\_  
 B= \_\_\_\_\_  
 C= \_\_\_\_\_  
 D= \_\_\_\_\_

1:2

E= \_\_\_\_\_  
 F= \_\_\_\_\_  
 G= \_\_\_\_\_  
 H= \_\_\_\_\_  
 I= \_\_\_\_\_

1:5

J= \_\_\_\_\_  
 K= \_\_\_\_\_  
 L= \_\_\_\_\_  
 M= \_\_\_\_\_  
 N= \_\_\_\_\_  
 O= \_\_\_\_\_



1:10

P= \_\_\_\_\_  
 Q= \_\_\_\_\_  
 R= \_\_\_\_\_  
 S= \_\_\_\_\_  
 T= \_\_\_\_\_  
 U= \_\_\_\_\_

1:50

V= \_\_\_\_\_  
 W= \_\_\_\_\_  
 X= \_\_\_\_\_  
 Y= \_\_\_\_\_  
 Z= \_\_\_\_\_